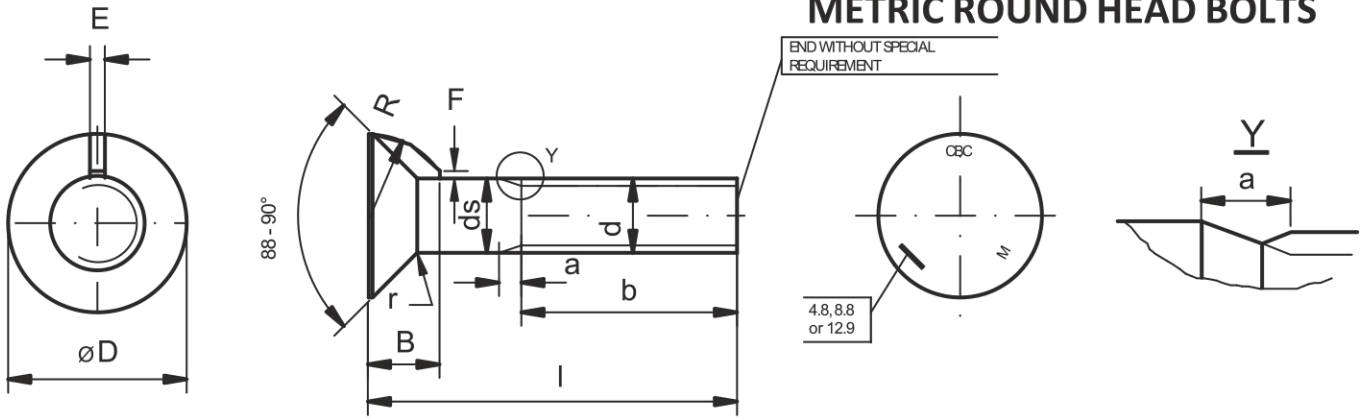


METRIC ROUND HEAD BOLTS



Dimensions for Nib Bolts SABS 1143

Grade 4.8, 8.8 and 12.9
Range M10 - M20

Dimensions in millimetres

| d | D | | B | |
|-----|------|------|------|------|
| | min | max | min | max |
| M10 | 17.0 | 20.0 | 5.1 | 6.3 |
| M12 | 20.4 | 24.0 | 6.2 | 7.5 |
| M16 | 27.2 | 32.0 | 8.3 | 10.0 |
| M20 | 34.0 | 40.0 | 10.4 | 12.5 |

| | ds | | P | a | E | | r | F | R |
|-----|-------|-------|------|-----|-----|-----|-----|------|------|
| | min | max | lead | max | min | max | max | ~ | ~ |
| M10 | 9.78 | 10.00 | 1.50 | 3.5 | 2.1 | 2.5 | 0.8 | 1.25 | 8.0 |
| M12 | 11.73 | 12.00 | 1.75 | 4.0 | 2.6 | 3.0 | 1.3 | 1.50 | 10.0 |
| M16 | 15.73 | 16.00 | 2.00 | 5.0 | 3.5 | 4.0 | 1.3 | 2.00 | 13.0 |
| M20 | 19.67 | 20.00 | 2.50 | 7.0 | 4.5 | 5.0 | 1.8 | 2.50 | 16.0 |

| | l mm | 25-30 | 35-50 | 55-80 | 90-100 |
|-----|---------|--------|--------|--------|--------|
| | | ± 0.42 | ± 0.50 | ± 0.60 | ± 0.70 |
| M10 | b | | | | |
| M12 | b | | | | |
| M16 | b | | | | |
| M20 | b | | | | |

Not available in CBC Range