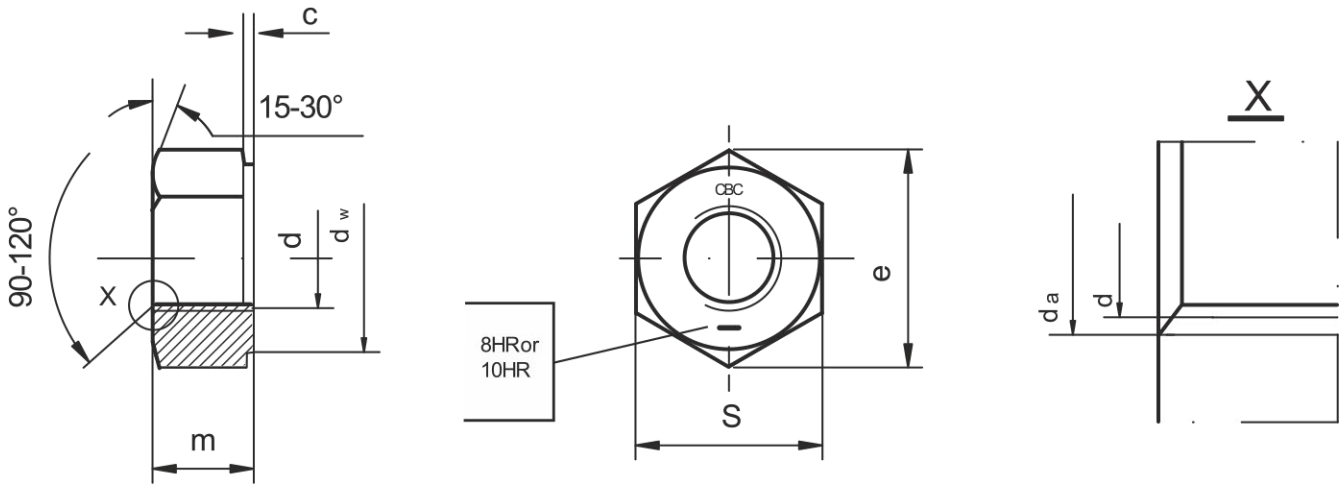


METRIC HEXAGON NUTS



Dimensions for High Structural Nut EN 14399-3 HR (British/French Nut) Replaces SABS 1282 + ISO 4775

Range M12 - M30

Grade 8 and 10

Dimensions in millimetres

	P	e	bore dia.		c		dw	S		m	
		min	min	max	min	max	min	min	max	min	max
M12	1.75	23.91	10.11	10.44	0.4	0.8	20.10	21.16	22.00	10.37	10.80
M16	2.00	29.56	13.84	14.21	0.4	0.8	24.90	26.16	27.00	14.10	14.80
M20	2.50	35.03	17.30	17.74	0.4	0.8	29.50	31.00	32.00	16.90	18.00
M24	3.00	45.20	20.75	21.38	0.4	0.8	38.00	40.00	41.00	20.20	21.50
M30	3.50	55.37	26.29	26.74	0.4	0.8	46.60	49.00	50.00	24.30	25.60

NOTE

Installation - Torque control method with lubrication following EN 14399. See page 6.

Nuts for structural Bolting Assemblies Preloading to be EN14399-3.