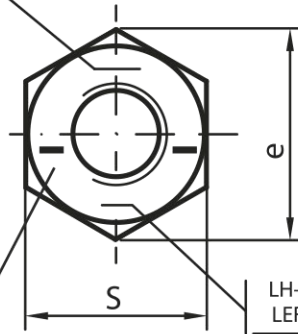


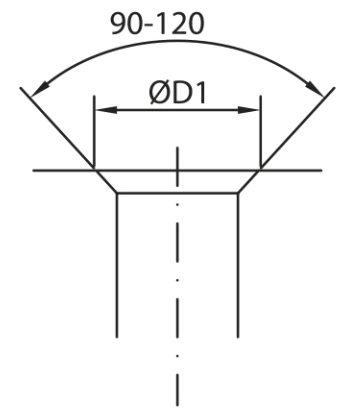
22-405
20-405
18-405

Identification
mark - as per
customer
requirements



LH-ONLY FOR
LEFT THREAD

HEXAGON NUTS



Dimensions for Nut

DIN 405

Range M18, M20 and M22

Grade 8

Dimensions in millimetres

Rd	Thread / inch	e		øD1		bore dia.		dw	S		m	
		min	max	min	max	min	max		min	max	min	max
M18	8	29.56	18.50	19.30	15.45	15.50	24.3	26.67	27.00	19.57	20.00	
M20	8	35.03	20.00	21.60	17.81	17.65	28.8	31.61	32.00	17.57	18.00	
M20	8	35.03	20.00	21.60	17.81	17.65	28.8	31.61	32.00	19.57	20.00	
M22	8	35.03	22.10	22.80	19.45	19.50	28.8	31.61	32.00	17.57	18.00	
M22	8	35.03	22.10	22.80	19.45	19.50	28.8	31.61	32.00	19.57	20.00	